



jGun® DIGITAL Single Speed Pneumatic Torque Tool

The jGun DIGITAL Single Speed Tool from HYTORC is the world's first torque-adjustable pneumatic multiplier with a digital readout and Filter Regulator and Lubrication (FRL) free operation. Unlike other pneumatic tool systems that require a separate filter, regulator and lubrication system between the air line and the tool, this tool eliminates the need for a separate FRL offering the highest level of portability and convenience. The jGun DIGITAL Single Speed Tool is equipped with standard square drive for conventional sockets and can accommodate drivers for the HYTORC Washer and HYTORC Nut.

DIGITAL READOUT



The jGun DIGITAL Single Speed Tool is the first pneumatic torque tool with an onboard digital readout for instant confirmation of selected torque and pressure. The internal On-Board Processor provides automated torque and unit conversion eliminating the need for pressure-to-torque tables or calculations.

BUILT-IN TORQUE ADJUSTMENT



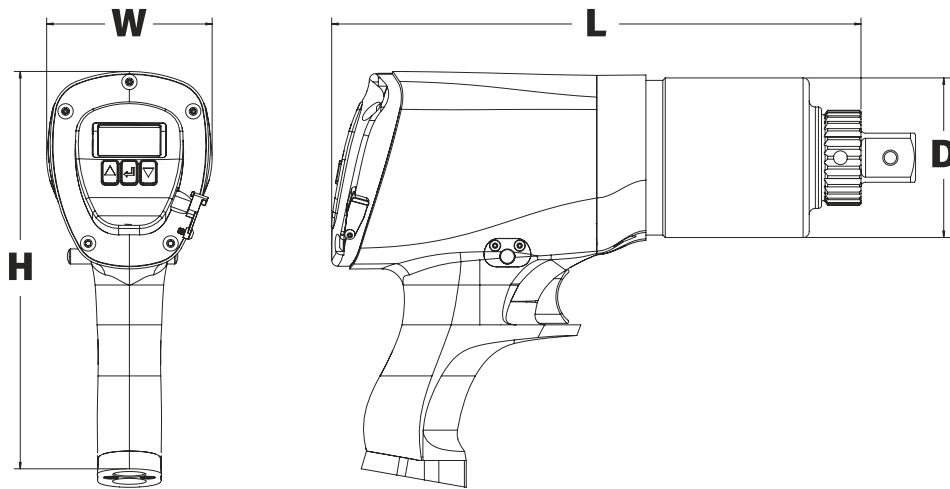
The jGun DIGITAL Single Speed Tool is the first of its kind with an inline air regulator for easy torque adjustment with the simple twist of a dial. The in-line regulator allows the user to quickly adjust from partial to full power and to lock the pressure to assure the correct torque values are applied.

INDUSTRIAL-GRADE MOTOR



This heavy-duty tool is supplied with an industrial grade motor and a rugged planetary gearbox that will stand up to rugged use even in harsh environments. With its maximum power-to-weight ratio, corrosion-resistant design, and low vibration output the jGun DIGITAL Single Speed Tool is the most durable and dependable air-powered Torque tool on the market.

PNEUMATIC



LEGEND: H = HEIGHT W = WIDTH L = LENGTH D = OUTER DIAMETER OF GEARBOX

MODEL NUMBER	H	W	L	D	SQUARE DRIVE	WEIGHT	TORQUE		RPM
IMPERIAL	in.					lbs.	ft-lbs (Min)	ft-lbs (Max)	
JGUN-D.25	7.87	3.15	7.92	2.50	3/4	8.25	60	250	65.0
JGUN-D.5	7.87	3.15	8.94	2.58	3/4	8.85	185	500	24.0
JGUN-D1	7.87	3.15	9.74	2.58	3/4	9.80	350	1,175	6.5
JGUN-D2	8.41	3.37	11.90	3.25	1	16.50	575	2,090	5.5
JGUN-D3	8.41	3.37	12.57	3.25	1	17.70	856	3,180	5.0
JGUN-D5	8.72	3.37	14.04	4.15	1-1/2	28.30	1,395	5,050	2.5
JGUN-D6.5	8.64	3.37	14.56	3.99	1-1/2	21.95	2,300	6,500	2.4
JGUN-D8	8.93	3.37	15.10	4.56	1-1/2	38.40	2,300	7,900	1.5

METRIC	mm				in.	kg	Nm (Min)	Nm (Max)	RPM
JGUN-D.25	200	80	201	64	3/4	3.75	81	339	65.0
JGUN-D.5	200	80	227	66	3/4	4.02	251	678	24.0
JGUN-D1	200	80	247	66	3/4	4.45	475	1592	6.5
JGUN-D2	214	86	302	83	1	7.50	780	2832	5.5
JGUN-D3	214	86	319	83	1	8.05	1161	4309	5.0
JGUN-D5	221	86	357	105	1-1/2	12.86	1891	6843	2.5
JGUN-D6.5	219	86	370	101	1-1/2	9.95	3118	8813	2.4
JGUN-D8	227	86	384	116	1-1/2	17.45	3118	10705	1.5

The World's Most Trusted Industrial Bolting Systems

HYTORC owns all content, copyrights, trademarks and patents in this document. © 2021 HYTORC. Any unauthorized use or distribution of any material from this document is strictly prohibited.



ADVANCED BOLTING SOLUTIONS PVT. LTD.

HO: "ABS House", Plot No. W-116 (A),
T.T.C. Industrial Area, MIDC Khairane,
Navi Mumbai - 400 710.

Tel: +91 22 3526 4444
E-mail: sales@absgroup.in
Web: www.absgroup.in



jGun® SINGLE SPEED Pneumatic Torque Tool

The jGun SINGLE SPEED is the simple choice for air-powered industrial bolting. With industry-leading power-to-weight and a breakout force that overcomes corroded and damaged nuts, this tool takes over where impact guns and breaker bars don't cut it.

POWERFUL BREAKOUT



The jGun SINGLE SPEED provides continuous power with no kickback to break out the nuts that other systems can't tackle. Impact guns have tremendous vibration and noise and have been banned on many job sites. It uses precision gearing and a simple reaction fixture to give you maximum power without the noise and vibration.

REPEATABLE TORQUE



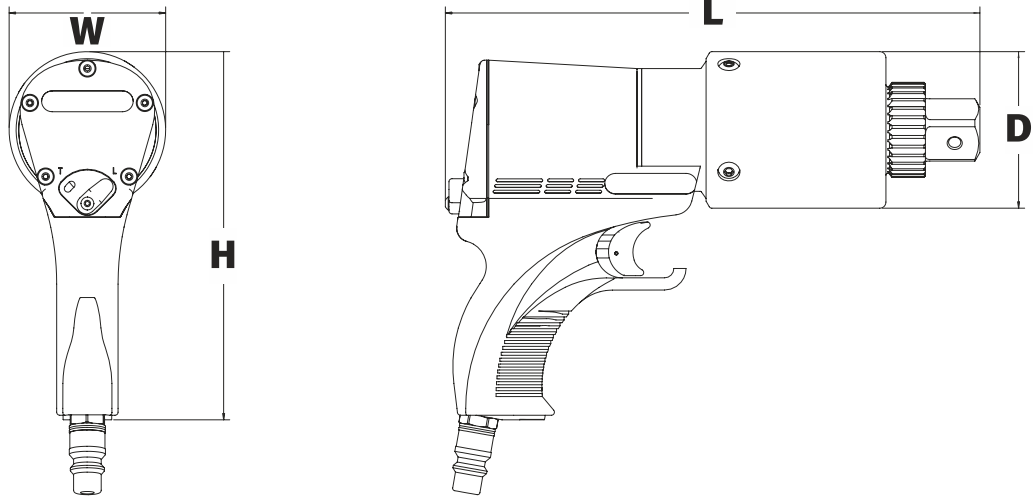
For maximum joint integrity, all of the bolts on a connection need to have an even and accurate load. The jGun SINGLE SPEED provides adjustable and repeatable torque to ensure that the bolted joint is assembled right the first time and keeps the torque over time.

ERGONOMIC DESIGN



The jGun SINGLE SPEED is built using aerospace materials for lightweight design with maximum durability. The comfort grip and available silencer ensure that the tool operator is comfortable, even on all-day jobs.

PNEUMATIC



LEGEND: H = HEIGHT W = WIDTH L = LENGTH D = OUTER DIAMETER OF GEARBOX

MODEL NUMBER	H	W	L	D	SQUARE DRIVE	WEIGHT	TORQUE		RPM
IMPERIAL	in.					lbs.	ft-lbs (Min)	ft-lbs (Max)	
J - .25	7.32	2.74	7.03	2.50	3/4	7.20	48	250	65.0
J - .5	7.32	2.74	8.07	2.58	3/4	7.20	129	508	24.0
JGUN-A.7-HS	7.94	3.53	9.93	2.58	3/4	10.40	175	725	26.0
J - 1	7.32	2.74	8.90	2.58	3/4	10.00	301	1231	6.5
J - 2	7.94	3.53	10.46	3.25	1	14.50	521	2190	5.5
J - 3	7.94	3.53	11.11	3.25	1	15.74	852	3104	5.0
J - 5	8.25	4.15	12.68	4.15	1-1/2	20.05	1150	5266	2.5
J - 8	8.46	4.56	13.90	4.56	1-1/2	26.50	1743	7924	1.5

METRIC	mm				in.	kg	Nm (Min)	Nm (Max)	RPM
J - .25	186	70	179	64	3/4	3.27	65	339	65.0
J - .5	186	70	205	66	3/4	3.27	175	688	24.0
JGUN-A.7-HS	202	90	252	66	3/4	4.73	237	982	26.0
J - 1	186	70	226	66	3/4	4.55	408	1668	6.5
J - 2	202	90	266	83	1	6.59	706	2967	5.5
J - 3	202	90	282	83	1	7.15	1154	4206	5.0
J - 5	210	105	322	105	1-1/2	9.11	1558	7136	2.5
J - 8	215	116	353	116	1-1/2	12.05	2362	10737	1.5

The World's Most Trusted Industrial Bolting Systems

HYTORC owns all content, copyrights, trademarks and patents in this document. © 2021 HYTORC. Any unauthorized use or distribution of any material from this document is strictly prohibited.



ADVANCED BOLTING SOLUTIONS PVT. LTD.

HO: "ABS House", Plot No. W-116 (A),
T.T.C. Industrial Area, MIDC Khairane,
Navi Mumbai - 400 710.

Tel: +91 22 3526 4444
E-mail: sales@absgroup.in
Web: www.absgroup.in



jGun® DUAL SPEED Pneumatic Torque Tool

The jGun DUAL SPEED is the only pneumatic multiplier that gives you the flexibility to use it for rundown, final torque, and heavy duty breakout. For fast rundown and powerful torque capability, the jGun DUAL SPEED is the industry's most reliable choice.

WHEEL GUN ACCESSORY



The Wheel Gun Accessory is the obvious choice for wheel bolting and all nuts and bolts in confined spaces. The powerful extension system delivers the desired torque without compromise to power or durability. With industry-leading repeatability and intuitive design, job integrity is always assured.

3-IN-1 BOLTING SYSTEM



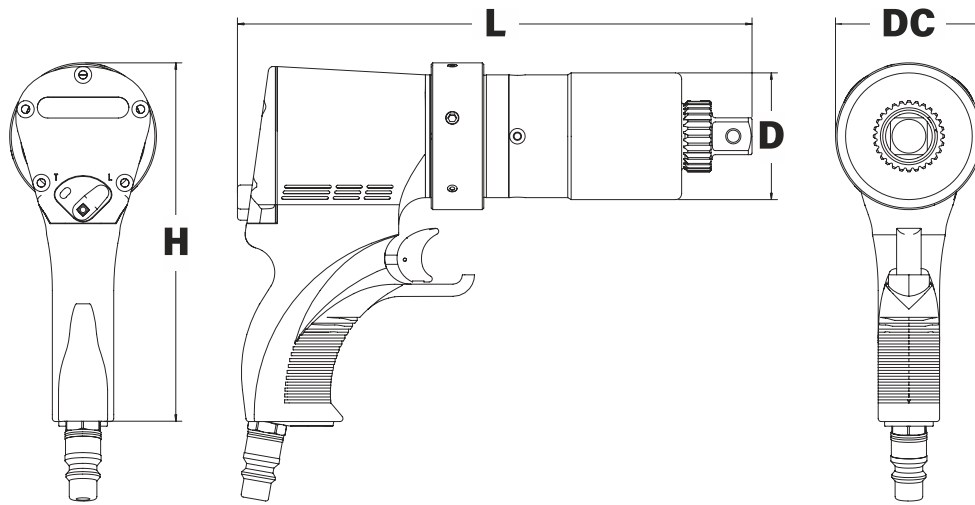
A simple twist of the collar switches the tool from high speed rundown mode into the max power mode with adjustable torque so you can choose the right output for your job.

INTUITIVE DESIGN



This robust tool eliminates the need for multiple systems making training simpler and reducing the chance for operator error. When multiple systems are used to assemble a bolted joint there is more chance for operator error. The jGun DUAL SPEED makes the job simpler by giving operators one easy to use system that can be used from start to finish.

PNEUMATIC



LEGEND: H = HEIGHT L = LENGTH D = OUTER DIAMETER OF GEARBOX DC = DIAMETER OF COLLAR

MODEL NUMBER	H	L	D	DC	SQUARE DRIVE	WEIGHT	TORQUE		RPM	
IMPERIAL	in.					lbs.	ft-lbs (Min)	ft-lbs (Max)	High	Low
J - A.5 - AP	7.32	8.07	2.58	2.99	3/4	9.04	194	502	465	24.0
J - A1 - AP	7.40	10.55	2.58	2.99	3/4	9.70	312	1,272	126	6.5
J - A2 - AP	8.42	12.51	3.25	4.48	1	15.00	520	2,039	97	5.0
J - A3 - AP	7.50	12.48	3.19	2.99	1	12.00	830	3,072	39	2.0
J - A5 - AP	8.42	14.65	4.15	4.48	1-1/2	22.50	1,215	5,007	48	2.5
J - A8 - AP	8.46	15.38	4.56	4.48	1-1/2	28.75	2,079	8,285	29	1.5
WHEEL GUN J - A1 - AP - WG	7.40	10.55	2.58	2.99	3/4	12.0	255	1,075	322	17

METRIC	mm				in.	kg	Nm (Min)	Nm (Max)	High	Low
J - A.5 - AP	186	205	66	76	3/4	4.11	263	680	465	24.0
J - A1 - AP	188	268	66	76	3/4	4.41	423	1724	126	6.5
J - A2 - AP	214	318	83	114	1	6.82	705	2763	97	5.0
J - A3 - AP	191	317	81	76	1	5.45	1125	4163	39	2.0
J - A5 - AP	214	372	105	114	1-1/2	10.23	1646	6785	48	2.5
J - A8 - AP	215	391	116	114	1-1/2	13.07	2817	11226	29	1.5
WHEEL GUN J - A1 - AP - WG	188	268	66	76	3/4	5	346	1457	322	17

The World's Most Trusted Industrial Bolting Systems

HYTORC owns all content, copyrights, trademarks and patents in this document. © 2021 HYTORC. Any unauthorized use or distribution of any material from this document is strictly prohibited.



ADVANCED BOLTING SOLUTIONS PVT. LTD.

HO: "ABS House", Plot No. W-116 (A),
T.T.C. Industrial Area, MIDC Khairane,
Navi Mumbai - 400 710.

Tel: +91 22 3526 4444
E-mail: sales@absgroup.in
Web: www.absgroup.in